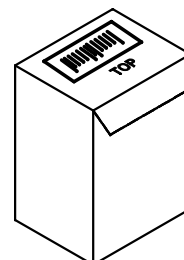
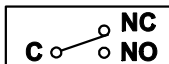


SPECIFICATIONS

- 1.0 Mounting Position: Diaphragm Vertical (See Diag. Below).
- 2.0 Set Point Range: 0.05 ± 0.02" W.C. to 2.0" W.C. Pressure Rise.
- 3.0 Measured Media: Air.
- 4.0 Operating Temperature Range: -40° to 180°F (-40.0° to 82.2 °C).
- 5.0 Life: 100,000 Cycles Minimum at 1/2 PSI Maximum Pressure Each Cycle and at Maximum Rated Electrical Load.
- 6.0 Electrical Rating.
- 6.1 300 VA Pilot Duty at 115 to 277VAC.
- 6.2 15A Non-inductive to 277VAC. } 60 Hz.
- 7.0 Contact Arrangement: SPDT.
- 8.0 Position of Switch Contacts Before Pressure is Applied.



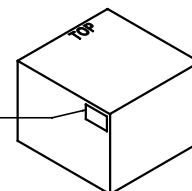
INDIVIDUAL BOX WITH P/N 18311121, 18647, BAR CODE LABEL P/N 60953 AND DATA SHEET LTAFS262

- NOTE 1** Adjustment Screw - Turn Clockwise to Increase Set Point.
- NOTE 2** Sample Line Connectors, Complete with Nut and Ferrule, Will Accept 1/4" O.D. Rigid or Semi-Rigid Tubing.
- NOTE 3** Switch Enclosure will Accept 1/2" Conduit Connection.
- NOTE 4** Approval or Recognition By: UL File MH6213; CSA File LR18754; Factory Mutual Systems.

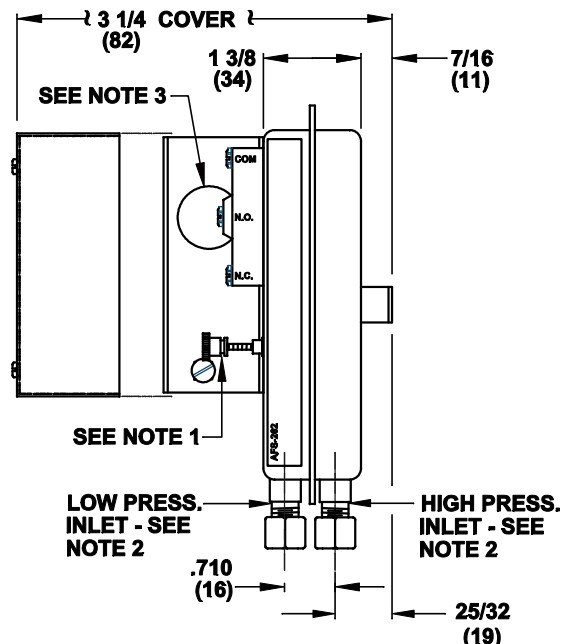
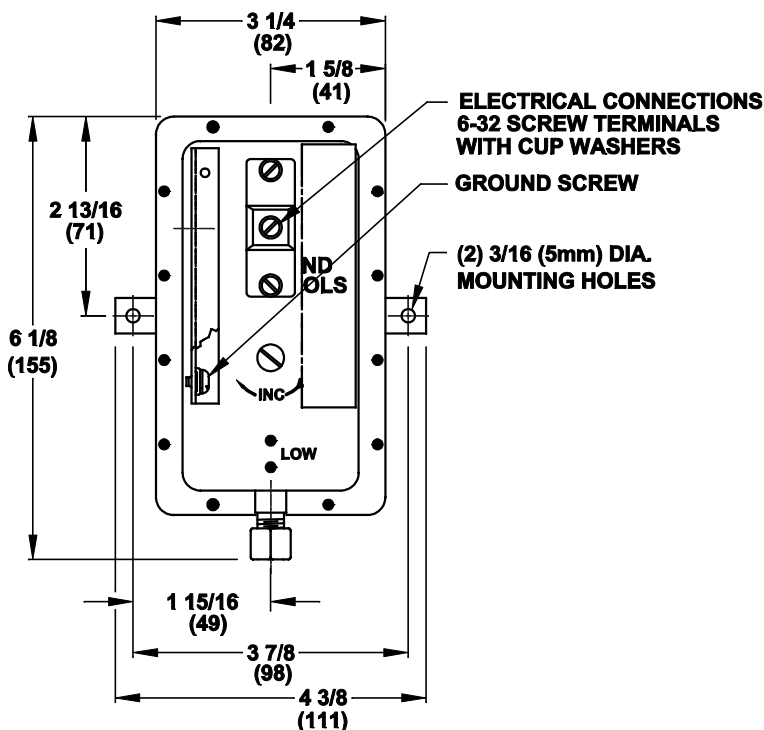
DIMENSIONS INCHES (METRIC)

AFS-262 CLEVELAND CONTROLS DIVISION OF UNICONTROL INC. CLEVELAND, OHIO USA DATE CODE	MOUNT WITH DIAPHRAGM IN ANY VERTICAL PLANE (MOUNTER AVEC LA MEMBRANE DANS UN PLAN VERTICAL) ADJUSTABLE SET POINT RANGE: CHANGE CONTACTS ON INCREASING PRESSURE FROM .05 ± .02 TO 2.0 IN. W.C. OPERATING TEMPERATURE RANGE: -40° TO 180° F (-40° TO 82° C) SAMPLE MEDIA: AIR - MAXIMUM PRESSURE: 1/2 PSI	300 VA PILOT DUTY AT 120 TO 277 VAC 15A NON-INDUCTIVE TO 277 VAC 50/60 HZ FIELD NUMBER TO BE 90 °C USE COPPER CONDUITS ONLY	
---	--	--	--

MODEL ID / SET POINT LABEL



MASTER CARTON WITH LABEL INDICATING QUANTITY AND SWITCH MODEL NUMBER



CLEVELAND CONTROLS DIV. OF UNICONTROL INC. MAKES NO REPRESENTATION OR WARRANTY CONCERNING THE SUITABILITY OF THIS DEVICE FOR A SPECIFIC APPLICATION OR PRODUCT. IT IS THE RESPONSIBILITY OF THE USER TO VERIFY THE SUITABILITY OF THIS DEVICE FOR THE SPECIFIC APPLICATION. WHERE AN OPERATING CONTROL FAILURE WOULD RESULT IN PERSONAL INJURY AND/OR LOSS OF PROPERTY, IT IS THE RESPONSIBILITY OF THE USER TO ADD DEVICES OR SYSTEMS THAT PROTECT AGAINST, OR WARN OF, FAILURE OF THIS DEVICE.

SENSING SWITCH SPECIFICATIONS

CLEVELAND CONTROLS MODEL: AFS-262-121

B	4429-2	3/16/16	MJA	FL
A	4429-1	4/14/10	MJA	FL
REV	DCN No.	DATE	BY	CHKD
DRAWING RELEASE No. 4429				
DWN	MJA	DATE 2/28/08	CHKD	
CHKD	FL	DATE 2/28/08	SCALE	NONE

THIS PRINT IS THE EXCLUSIVE PROPERTY OF CLEVELAND CONTROLS AND CANNOT BE REPRODUCED IN WHOLE OR IN PART OR ISSUED OR DISCLOSED TO THIRD PARTIES WITHOUT THE EXPRESS WRITTEN CONSENT OF CLEVELAND CONTROLS.

Cleveland Controls Division of UniControl Inc.
 1111 Brookpark Rd. Cleveland, Ohio 44109-5825
 .XX = ±.015 .XXX = ±.005 ANGLES = 1°

USED ON	SHEET 1 OF 1
A18846-121	B REV